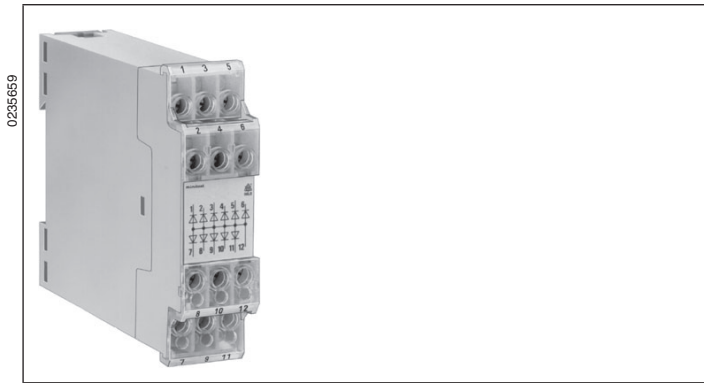


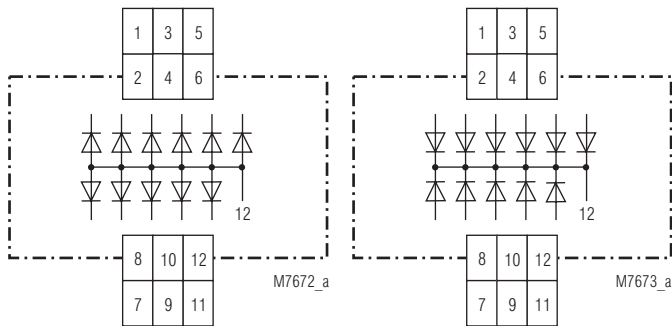
# Monitoring Technique

**INFOMASTER**  
**Lamp Tester**  
**MK 9994, MK 9995**



- For max. 11 indicator lamps
- Width 22.5 mm

## Circuit Diagrams



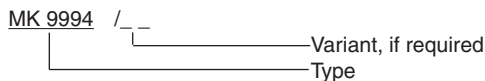
MK 9994

MK 9995

## Standard Types

MK 9994	
Article number:	0012938
MK 9995	
Article number:	0015889
• Width:	22.5 mm

## Ordering example for variants



## Approvals and Markings



## Application

The lamp tester contains a diode group with either common anode or cathode. It blocks one lamp from the other in order to avoid influence. On AC-operation the lamps are only half illuminated.

## Technical Data

**Nominal voltage:** AC 250 V

### Data of diods

Current per output:	0.6 A at 100 % ED 1 A max. 3 min.
Periodical peak reverse voltage:	1 000 V
Peak surge voltage:	1 200 V
Peak surge voltage power dissipation:	1.0 kW for 10 µs
Max. peak current:	50 A for 10 ms
Periodical peak voltage:	1 100 V

## General Data

**Operating mode:** Continuous operation  
**Temperature range:** - 20 ... + 60°C

### Degree of protection

**Housing:** IP 40 IEC/EN 60 529  
**Terminals:** IP 20 IEC/EN 60 529

**Housing:** Thermoplastic with V0 behaviour to UL subject 94  
**Vibration resistance:** 0,35 mm Amplitude, frequency 10 ... 55 Hz IEC/EN 60 068-2-6 20 / 060 / 04 IEC/EN 60 068-1

### Climate resistance:

**Terminal designation:** EN 50 005  
**Wire connection:** 2 x 1.5 mm<sup>2</sup> solid or 2 x 1.0 mm<sup>2</sup> stranded wire with sleeve DIN 46 228-1/-2/-3/-4

**Wire fixing:** Flat terminals with self lifting clamping piece IEC/EN 60 999-1

**Mounting:** DIN rail IEC/EN 60 715  
**Weight:** 80 g

## Dimensions

**Width x height x depth:** 22.5 x 82 x 99 mm

