

Presentation: not coded

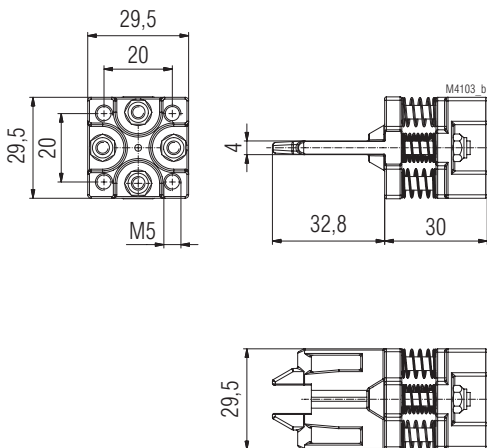
### STS-System Benefits

- EU-Test certificate according to the directive 2006/42/EG, annex IX
- For safety applications up to PLe/Category 4 according to EN/ISO 13849-1
- Modular and expandable system
- Rugged stainless steel design
- Wireless mechanical safeguarding
- Combines the benefits of safety switch, locking module and key transfer in a single system
- Easy installation through comprehensive accessories
- Protection against lock-in
- Coding level low, medium, high according to DIN EN ISO 14119:2014-03

### Features

- Actuator with 3 degrees of flexibility
- Can be coded
- Springs back to starting position
- Dampens pressure loads via springs
- Adjustable actuator angle

### Dimensional Drawing [mm]



### Approvals and Marking



### Application

The flexible actuator C is used in connection with the SAFEMASTER STS units, which comes with integrated actuator modules A, B, D, E or K. Generally, it is fitted to the movable part of a separating guard device and is used to switch the associated STS unit.

### Design and Operation

The flexible actuator C is used for rougher ambient conditions where overloads of the associated STS-device may occur. A spring set which is integrated into the actuator buffers hard door stops and thereby prevents excessive force effects on the mechanics of jammed modules. Moreover, the operating angle of the C-actuator is adjustable. This makes it also superbly suitable as radius actuator for hinged safety access doors with radii of > 200 mm.

The flexible actuator C can also be coded. The delivery of this coded actuator is always done in pairs with an associated coded actuator module D or E. Different types of coding are available. The coding used will not be identified on the actuator. The product designation of the actuator C then becomes actuator CK. Coding level medium according to DIN EN ISO 14119:2014-03

### Notes

#### Recommendation:

For safety access doors, which can be slammed with such great force that the mechanics of the actuator module will be damaged or greater pulling forces may act on the actuator, we recommend the use of the even more robust actuator CS series.

Refer to the customer information for additional details on selecting the actuator.

### Technical Data

#### Material

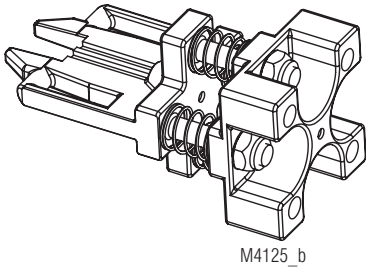
Actuator: Stainless steel V4A / AISI 316  
Spring: V2A / AISI 304

### Ordering Designation

Actuator C  
Article number: 0062254

Can be ordered only in pairs with actuator model D or E!  
Actuator CK coded  
Article number: 0063576

**Setting of Radius and Incline**



The actuator radius and the actuator incline is set through the position of the locking nuts

