

Installation Technique

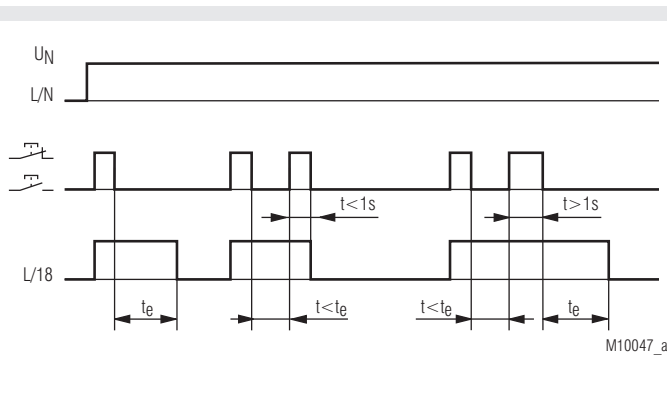
MINITIMER

Energy Saving Time Switch
RK 8810/006



- According to EN 60 669
- Setting range: for long times 3 ... 60 min
- For 4-wire circuit L on push button and 3-wire circuit N on push button
- Light can be switched off and retriggered
- Switch for continuous light on unit
- Contact: 16 A
- Width 17.5 mm

Function Diagram



Approval and Marking



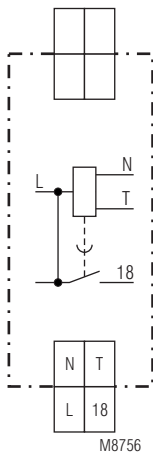
Application

On and Off switching of lights

Function

During end of the time progression the light can be switched off or retriggered. For switching off the pushbutton is pressed (< 1 s). If the pushbutton is pressed longer than 1 s, the adjusted time is started again without interruption on the output contact

Circuit Diagram



M8756
RK 8810.41/006

Notes

Unit and push button have to be connected to the same phase (see connection diagram) The output contact is not volt free.

Technical Data

Time circuit

Time range: 3 ... 60 min
Repeat accuracy: < 1 % of setting value

Input

Nominal voltage U_N : AC 230 V
Voltage range: 0.9 ... 1.1 U_N
Nominal consumption: approx. 1 W
Nominal frequency: 50 / 60 Hz
Permitted residual current caused by glow lamps in the push buttons max. 50 glow lamps à 1 mA
Min. pulse duration: 30 ms

Technical Data

Output

Contacts:	1 NO contact, delay
Contact opening gap:	> 3 mm
Thermal current I_{th}:	16 A
Switching capacity with lamp load	
Glow lamp load:	2000 W
Energy saving time lamp:	14 W (20 lamps)
Fluorescent lamp load	
Duo switching:	58 W (40 lamps)
electric ballast unit:	58 W (20 lamps)
parallel compensation:	140 μ F
Short circuit current strength:	> 700 A
Short circuit strength max. fuse rating:	16 AgL IEC/EN 60 947-5-1
Mechanical life:	> 1×10^6 switching cycles

General Data

Nominal operating mode:	impulse operation / continuous operation
Temperature range:	- 20 ... + 50°C
Clearance and creepage distances	
rated impuls voltage / pollution degree:	4 kV / 2 IEC 60 664-1
EMC	
Electrostatic discharge (ESD):	8 kV (air) IEC/EN 61 000-4-2
Fast transients:	2 kV IEC/EN 61 000-4-4
Surge voltages between	
wires for power supply:	1 kV IEC/EN 61 000-4-5
between wire and ground:	2 kV IEC/EN 61 000-4-5
Interference suppression:	Limit value class B EN 55 011
Degree of protection:	
Housing:	IP 40 IEC/EN 60 529
Terminals:	IP 20 IEC/EN 60 529
Enclosure:	Thermoplast with V0-behaviour according to UL subj. 94
Vibration resistance	Amplitude 0,35 mm frequency 10 ... 55 Hz IEC/EN 60 068-2-6
Climate resistance:	20 / 050 / 04 IEC/EN 60 068-1
Terminal designation:	EN 50 005
Wire connection:	0.5 ... 6 mm ² solid or 0.5 ... 4 mm ² stranded wire with sleeve DIN 46 228-1/-2/-3/-4
Wire fixing:	Box terminal with wire protection
Mounting:	DIN rail IEC/EN 60 715
Weight:	approx. 80 g

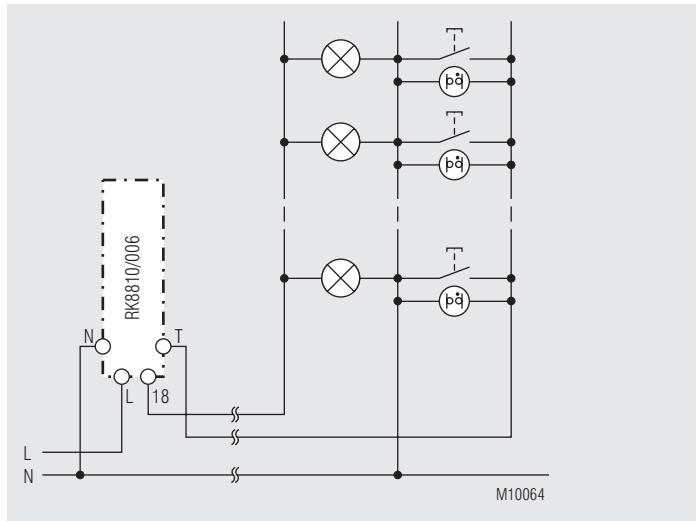
Dimensions

Width x Height x Depth: 17.5 x 90 x 66 mm

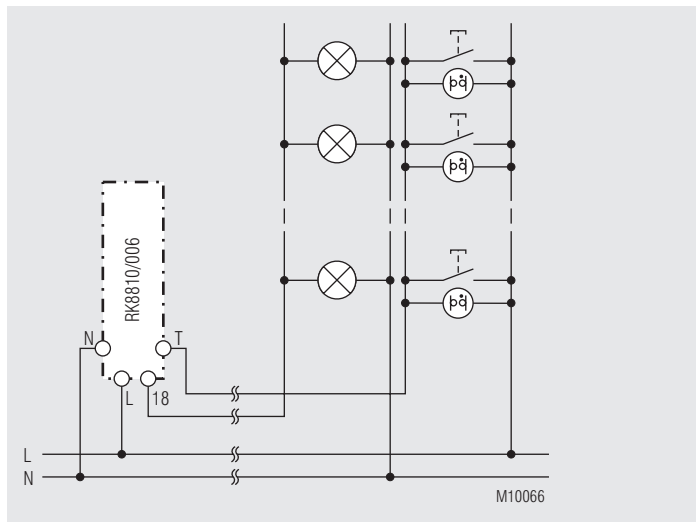
Standard Type

RK 8810.41/006	AC 230 V	50 / 60 Hz	3 ... 60 min
Article number:			
• Output:	1 NO contact, delay		
• Nominal voltage U_N :	AC 230 V		
• Timer range:	3 ... 60 min		
• Width:	17.5 mm		

Application Example



3-wire circuit N on push button



4-wire circuit L on push button